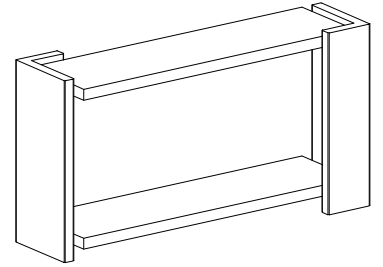


**Warning :**

- Be sure to check all packing material carefully for small parts, which may have come loose inside the carton during shipment.
- To prevent possible scratches and damage, this furniture **MUST BE ASSEMBLED BY TWO PEOPLE** on a soft surface such as a blanket or carpet.

**Important Use Information:** We recommend using coasters, placemats and trivets when placing hot or cold containers on this item. It is also recommended to quickly cleanup any spills to minimize exposure to moisture. Doing so will prolong the life and look of the item for many years.

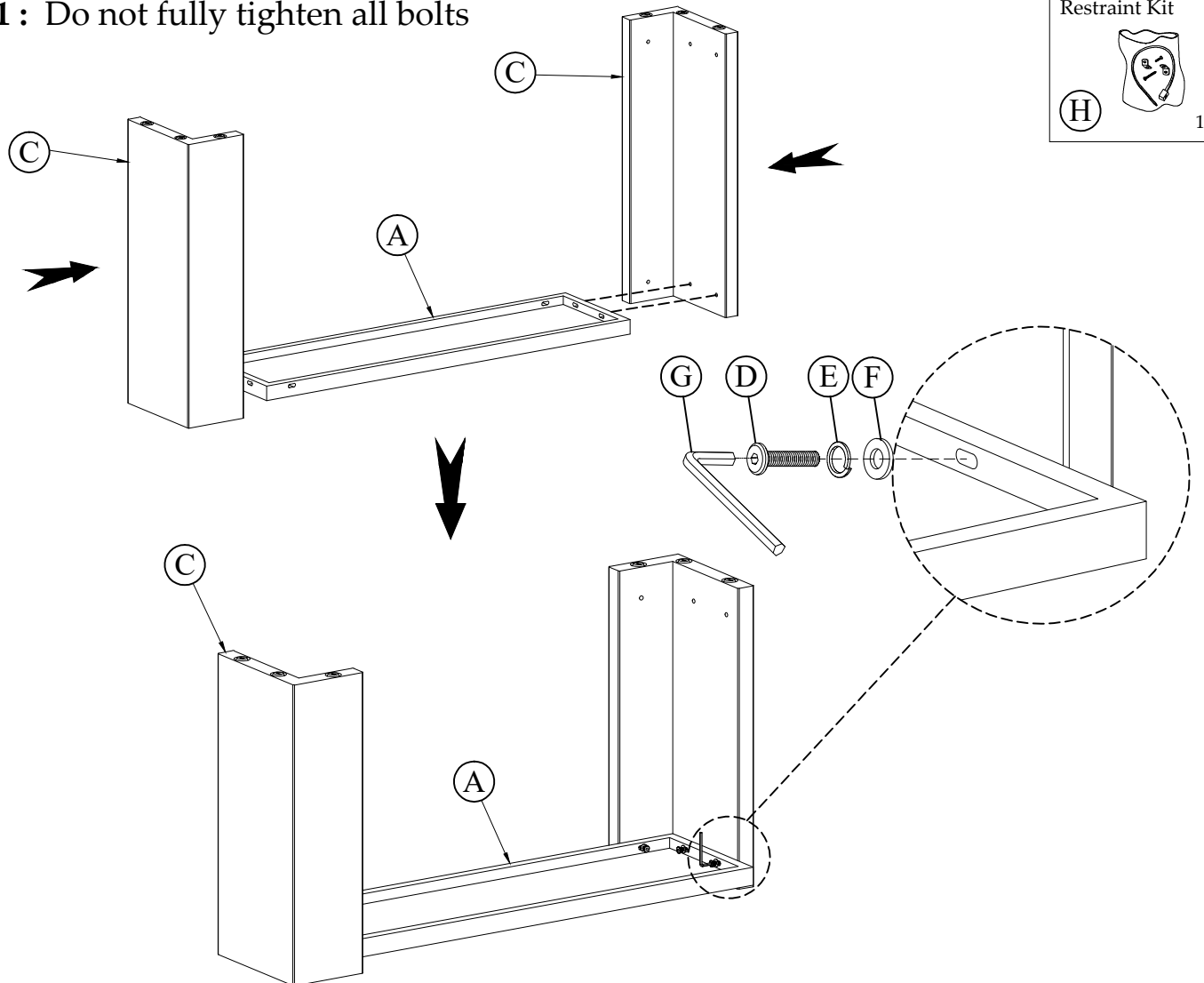


**64815**  
**Sofa Table**

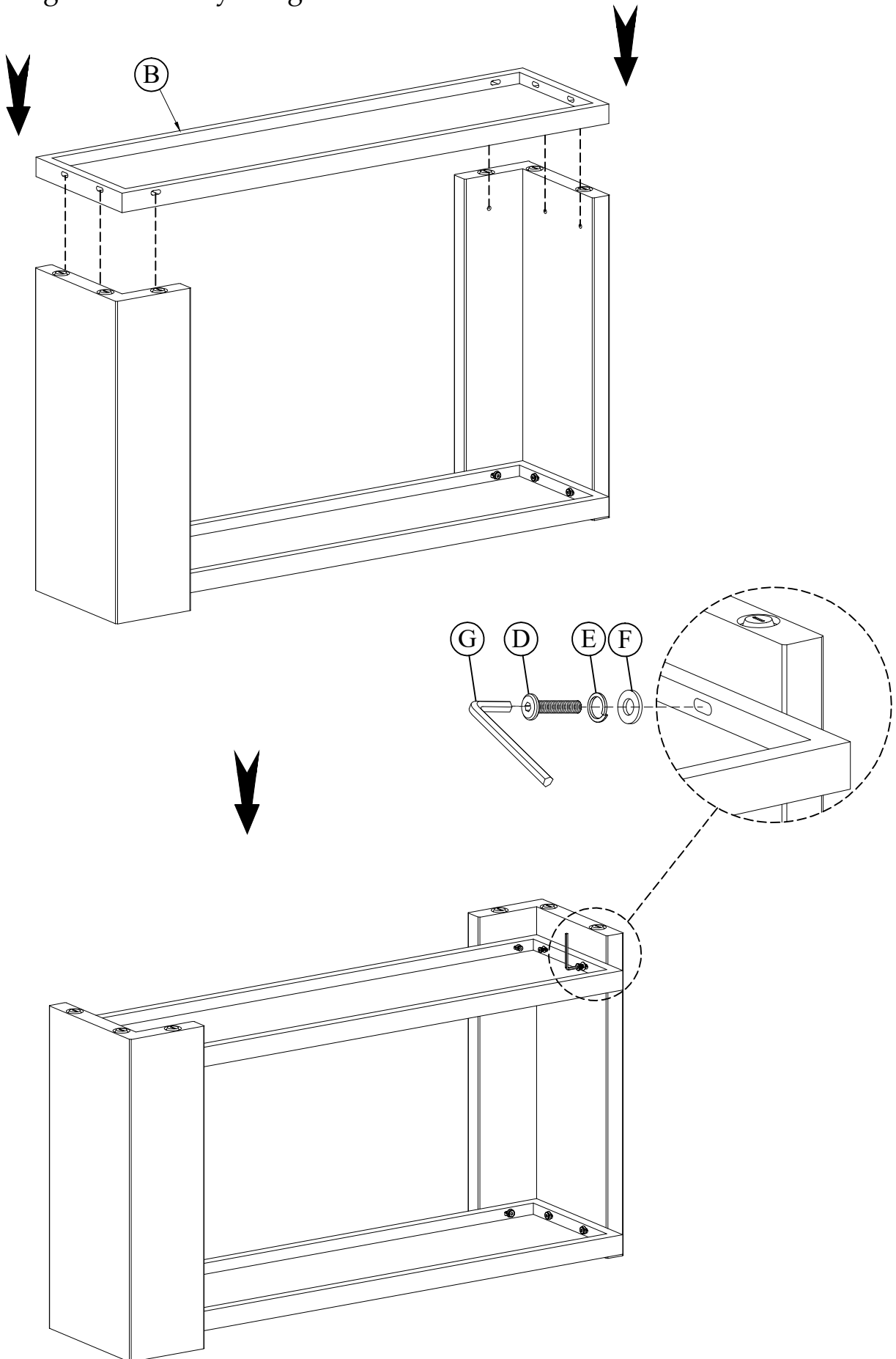
**Components and Hardware List**

Top Shelf	Bottom Shelf	Side	Allen Head Bolt M8-32 x 50mm	Lock Washer Ø8 x Ø13	Flat Washer Ø8 x Ø25	5mm Allen Key
1 pc.	1 pc.	2 pcs.	12 pcs.	12 pcs.	12 pcs.	1 pc.

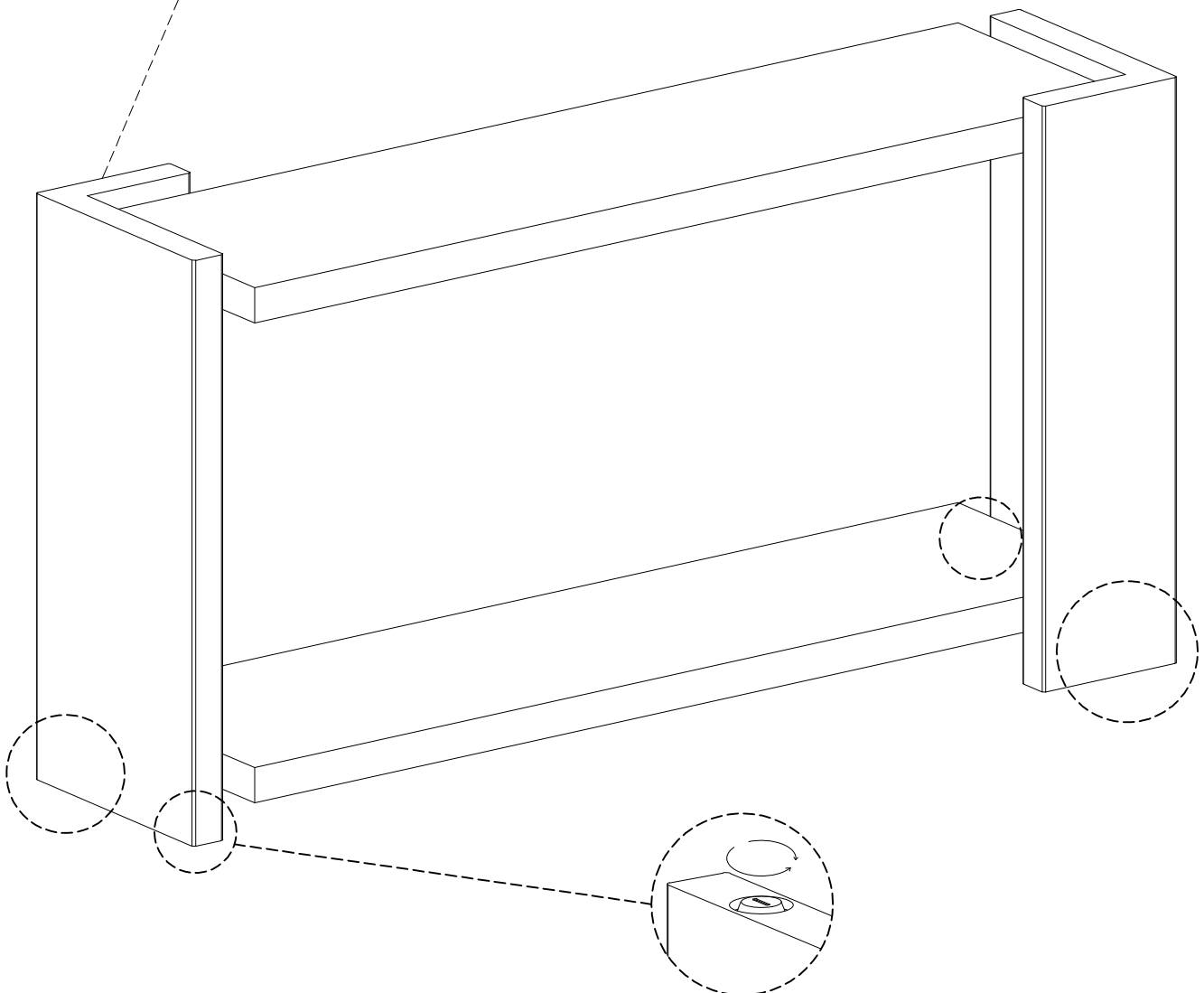
**Step 1 : Do not fully tighten all bolts**



**Step 2 :** Using the Allen key to tighten all bolts.



**Step 3 :**



**Adjustable Leveler**  
6 pcs

For product and personal safety, a furniture tipping kit has been included with this unit which can help to minimize the risk of the unit accidentally tipping forward, if used and properly installed per the kit manufacturer's instructions.